



PART NAME

EXTRUDED ALUMINUM IP65 PCB ENCLOSURES

PART No.

EXN-23354 (SEE TABULATION FOR COMBINATIONS)

REVISION DATE

10-23-15

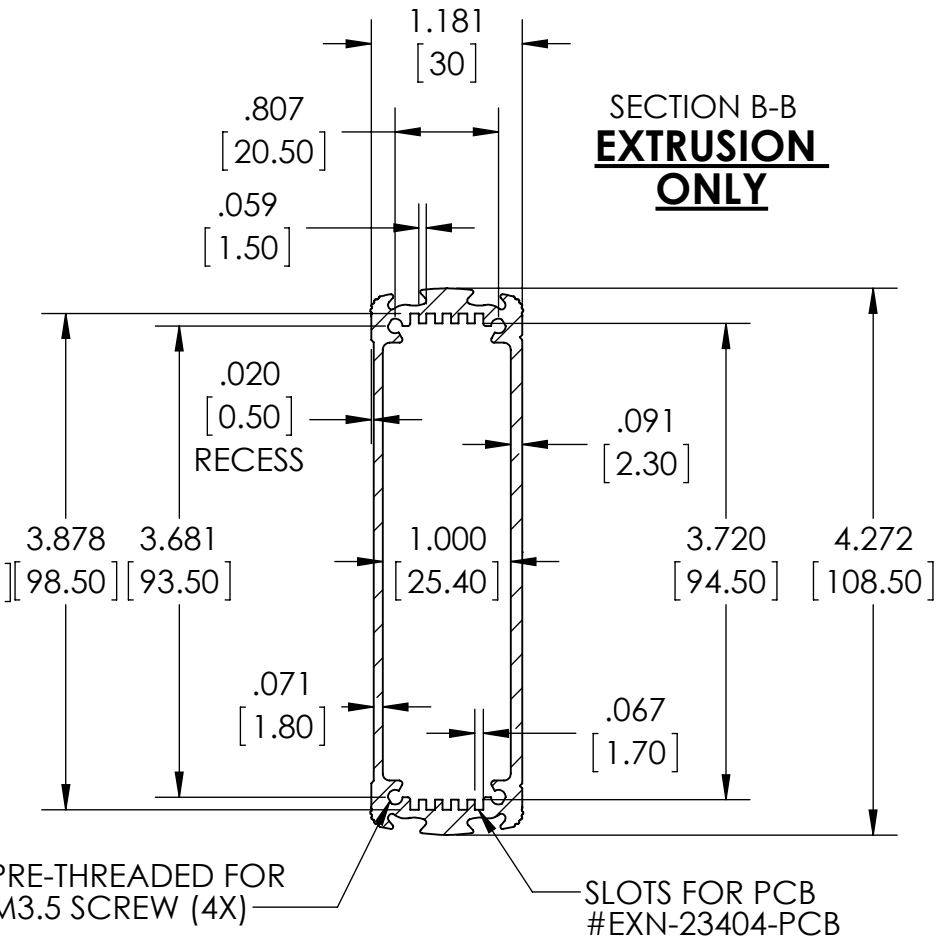
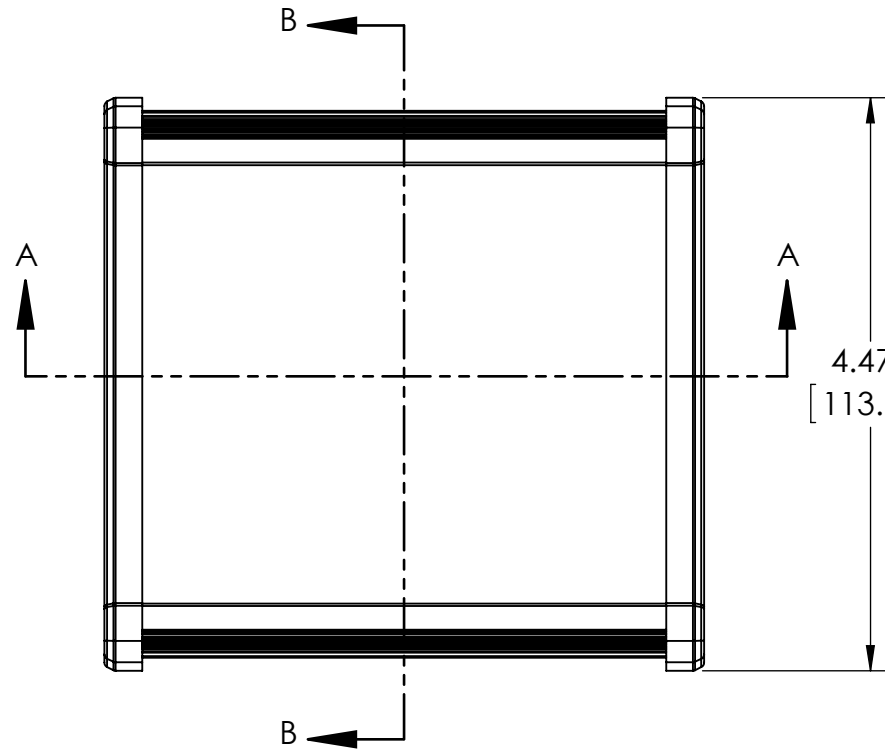
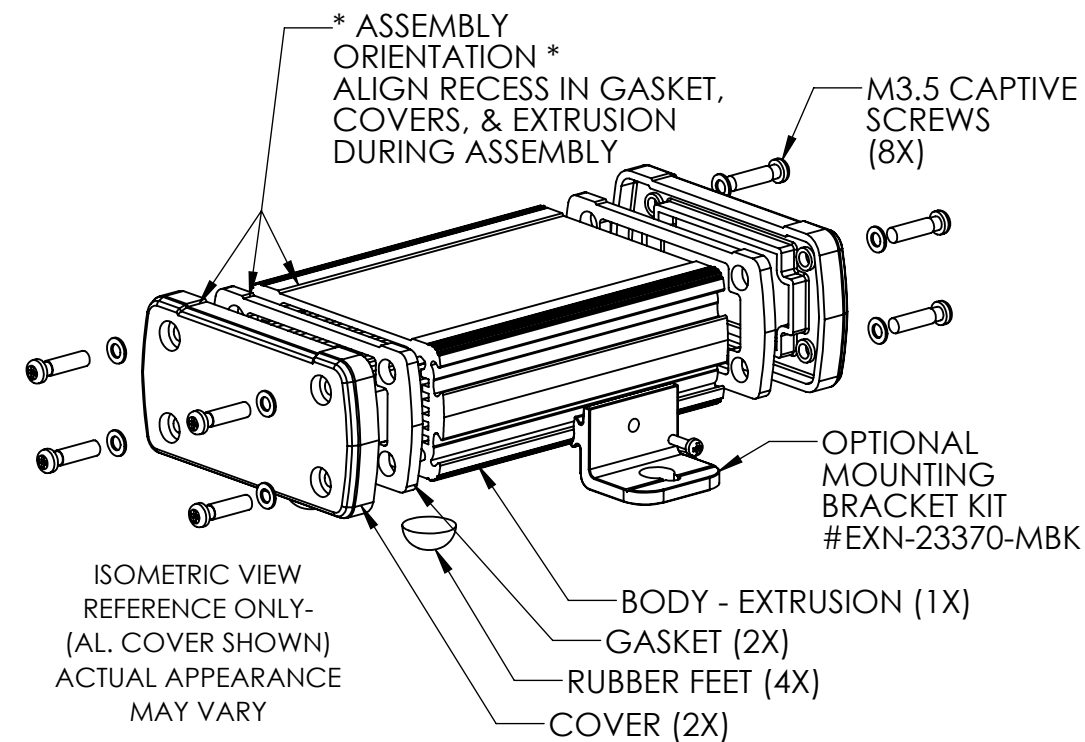
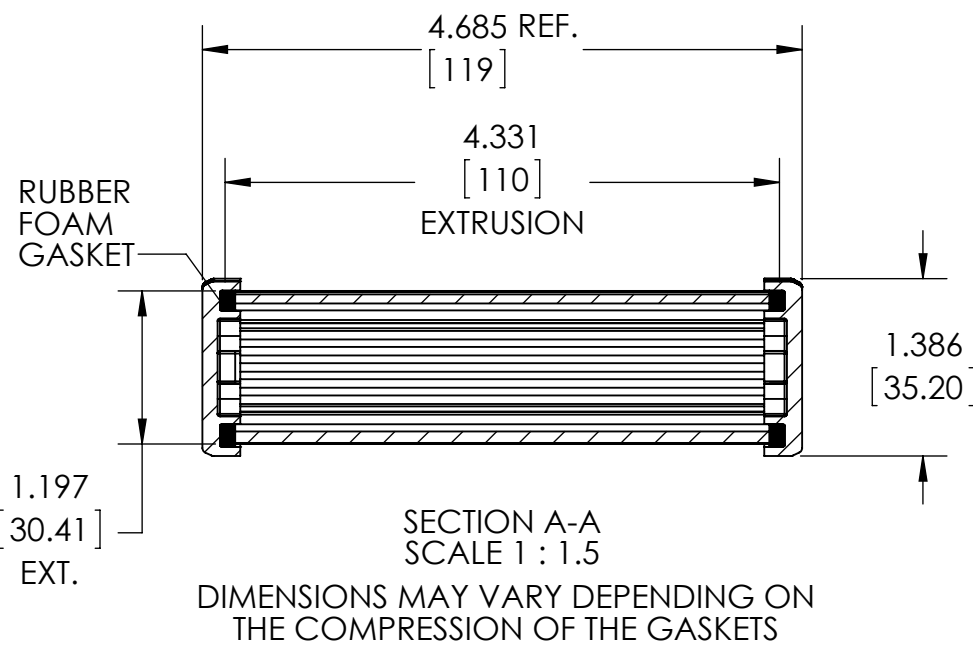
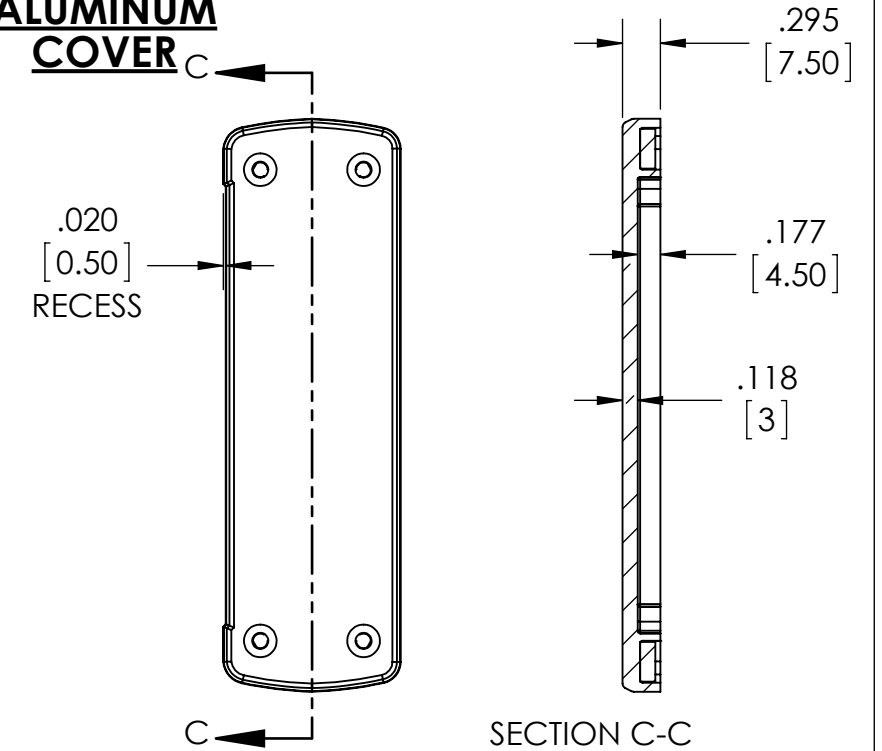
PART NUMBER	ALUM. COVER	PLASTIC COVER	BODY COLOR
EXN-23354-BK	BLACK	-	BLACK
EXN-23354-BKP	-	BLACK	BLACK
EXN-23354-BL	BLACK	-	BLUE
EXN-23354-BLP	-	TRANSLUCENT BLUE	BLUE
EXN-23354-GD	BLACK	-	GOLD
EXN-23354-GDP	-	CLEAR	GOLD
EXN-23354-RD	BLACK	-	RED
EXN-23354-RDP	-	IR RED	RED
EXN-23354-SV	BLACK	-	SILVER
EXN-23354-SVP	-	CLEAR	SILVER

MATERIAL: ALUMINUM EXTRUSION BODY PROVIDED
ALUMINUM COVER (2X) AND GASKETS OR
POLYCARBONATE COVER (2X) AND GASKETS - NOT ASSEMBLED

DIMENSIONS ARE INCH[MM]

DRAWING FOR REFERENCE

WE RESERVE THE RIGHT TO MAKE CHANGES TO OUR
STANDARD PRODUCTS. PLEASE CONSULT WITH BUD INDUSTRIES
PRIOR TO USING THIS DRAWING FOR DESIGN PURPOSE.

**DIE CAST ALUMINUM COVER C****PLASTIC COVER D**